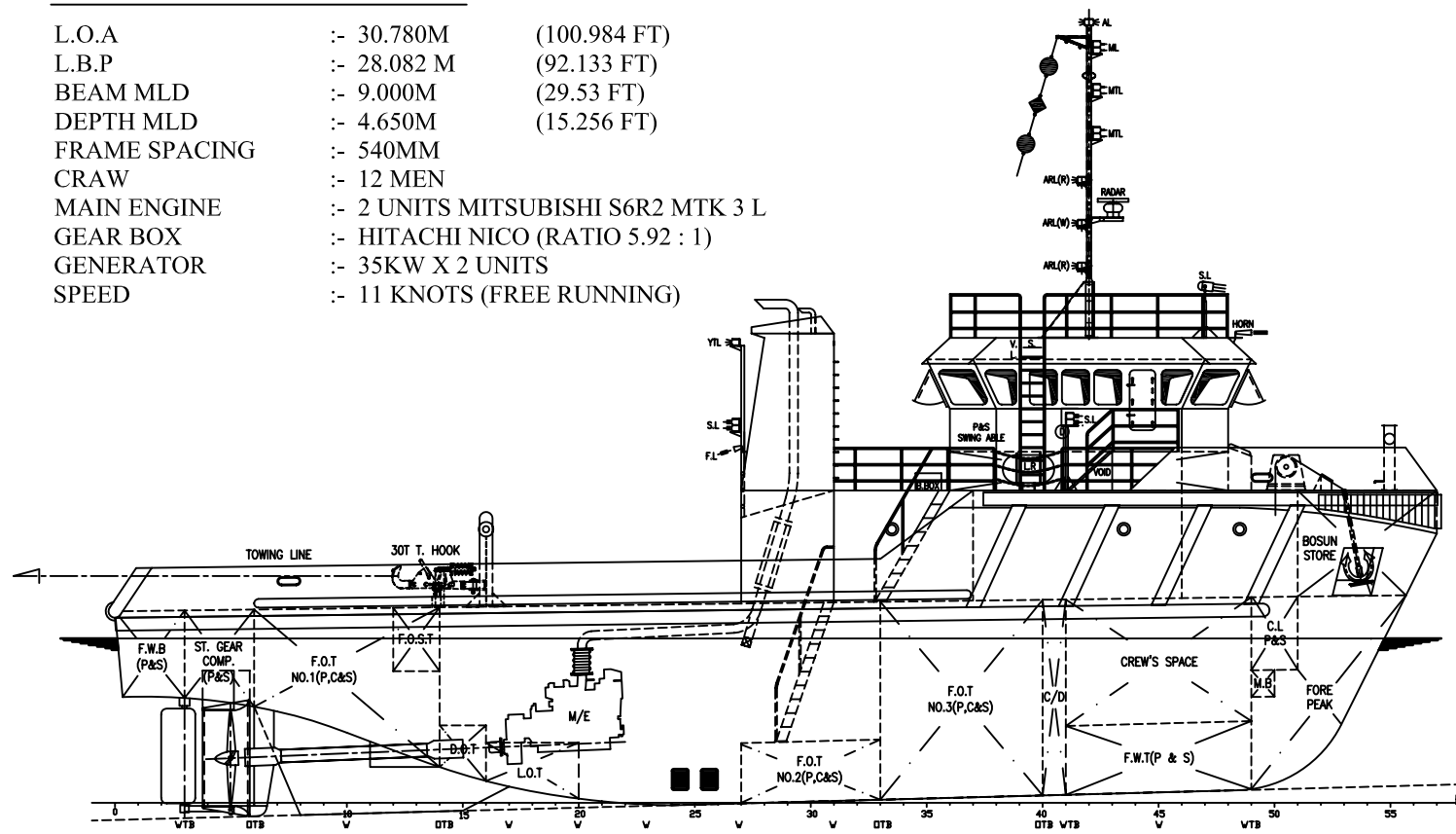
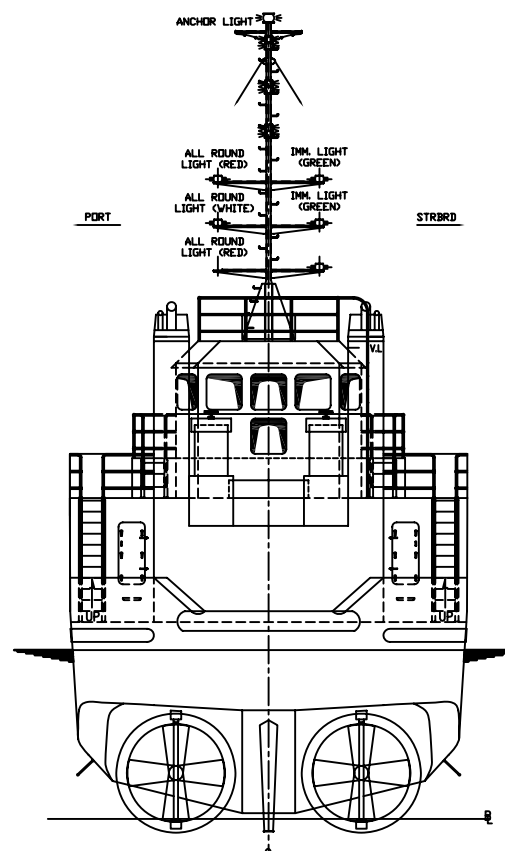


PRINCIPAL PARTICULARS :-

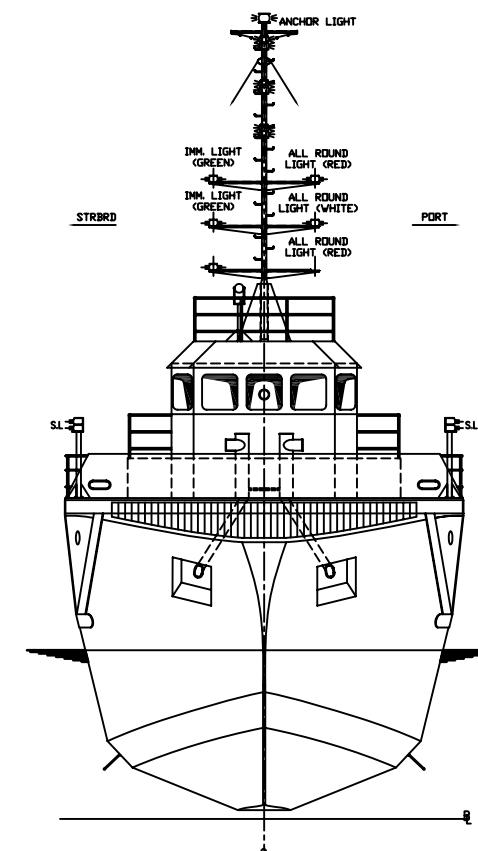
- L.O.A :- 30.780M (100.984 FT)
- L.B.P :- 28.082 M (92.133 FT)
- BEAM MLD :- 9.000M (29.53 FT)
- DEPTH MLD :- 4.650M (15.256 FT)
- FRAME SPACING :- 540MM
- CRAW :- 12 MEN
- MAIN ENGINE :- 2 UNITS MITSUBISHI S6R2 MTK 3 L
- GEAR BOX :- HITACHI NICO (RATIO 5.92 : 1)
- GENERATOR :- 35KW X 2 UNITS
- SPEED :- 11 KNOTS (FREE RUNNING)



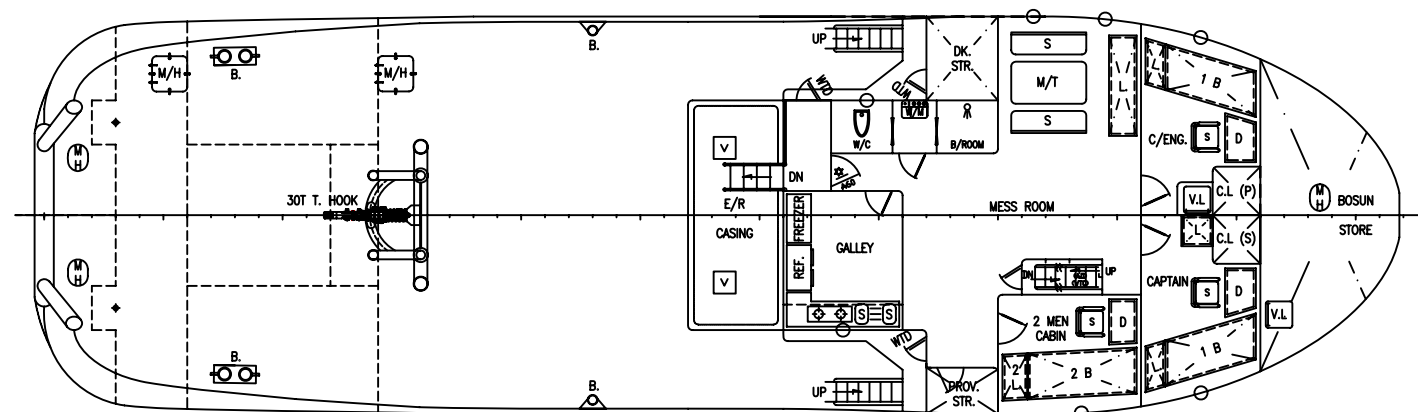
ELEVATION



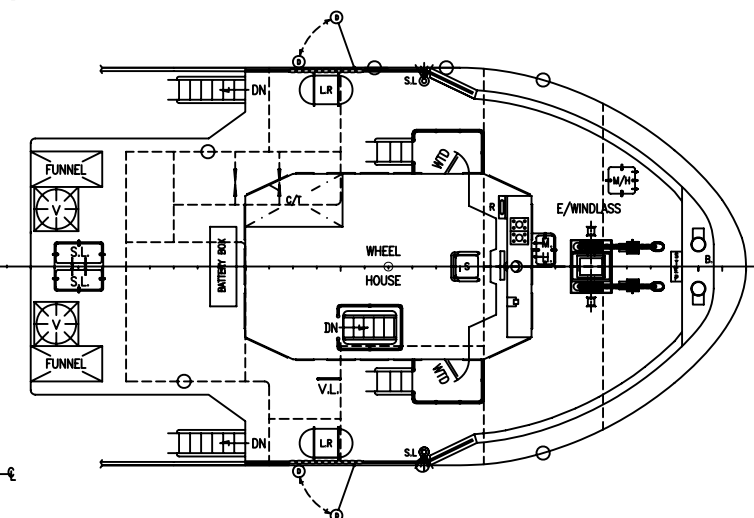
REAR VIEW



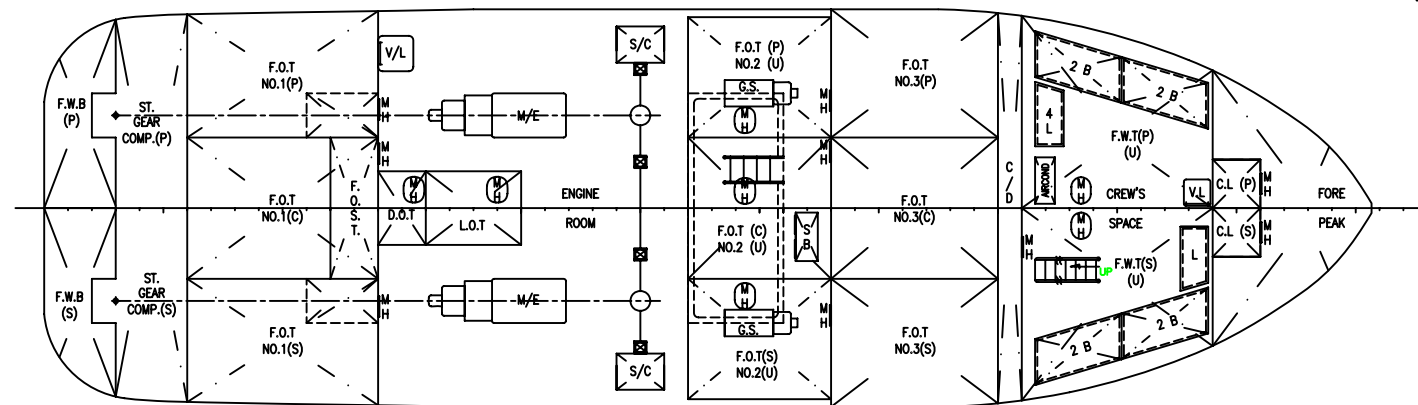
FRONT VIEW



MAIN DECK



BRIDGE DECK



BELOW MAIN DECK

DATE	MODIFICATION	REV.	BY
BUILDER: SAPANGAR SHIPYARD SDN. BHD. (COMPANY NO.565077-W) MILE 2 1/2 JALAN KASTAM BARU, 91110 LAHAD DATU, SABAH, MALAYSIA. TEL : 089-887688 FAX : 089-887353 E-MAIL : jn.chong@shipasia.com			
SHIP: 30M T.S. TUG			
TITLE: GENERAL ARRANGEMENT			
OWNER	P.O.R KOTA KINABALU		
BUILDER	SAPANGAR SHIPYARD S/B, SABAH.	YARD NO. SS010 & SS019	
CLASS	NK	SCALE	
DRAWN	TRACED	CHECKED	REV
JASMAN		K.C VOON	
22-04-2010		24-04-2010	
			1:120
			SS1-10-G